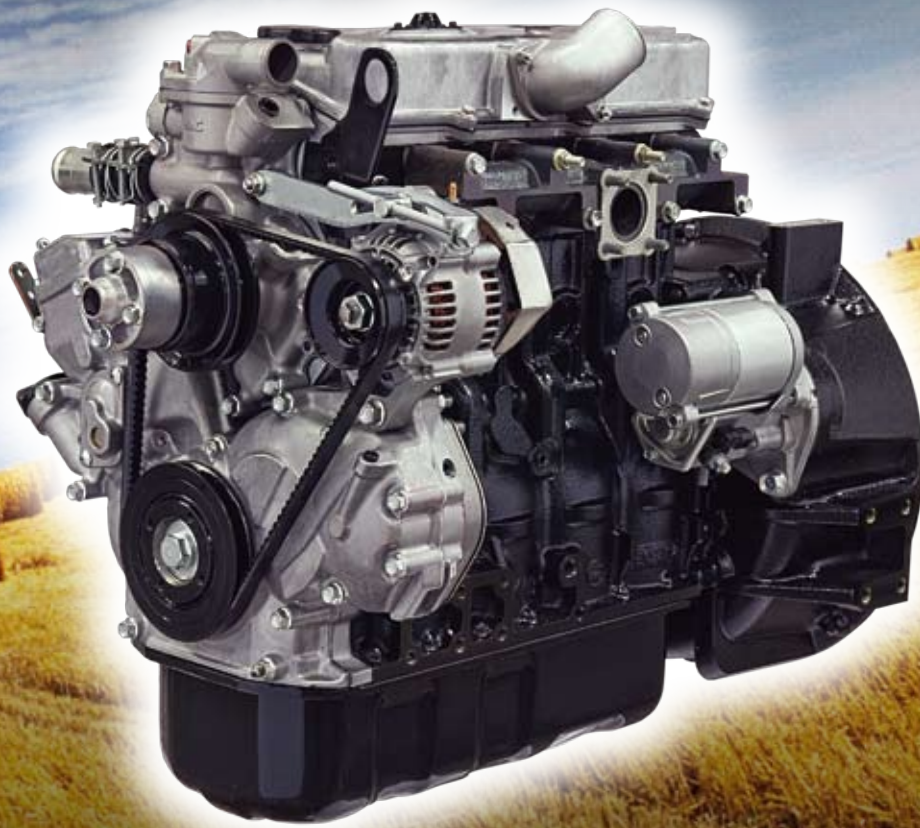


# Isuzu Diesel Engines



## 4LE1

Generator: 33 HP @ 1800 RPM

Industrial Drive: 50 HP @ 2600 RPM

### Standard features:

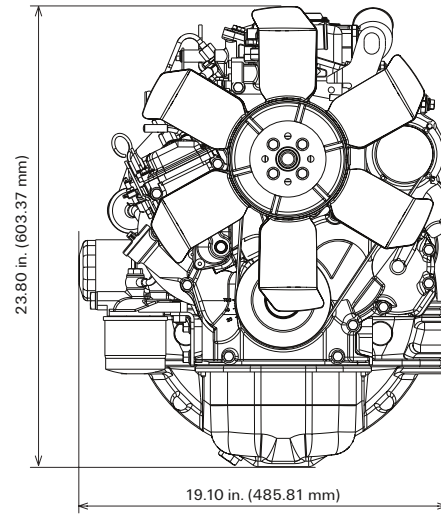
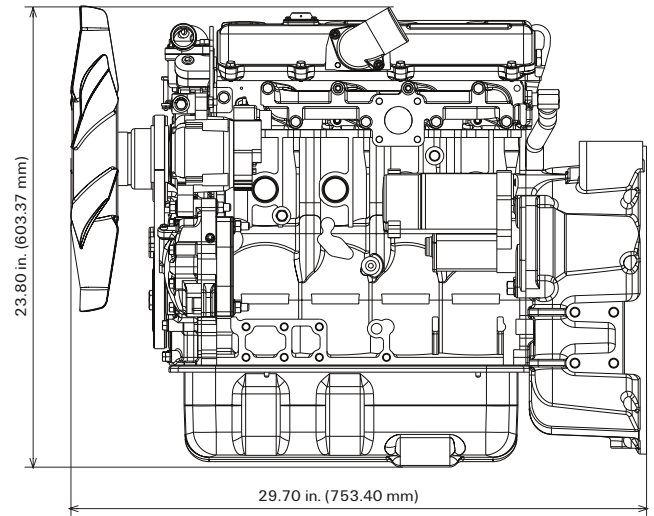
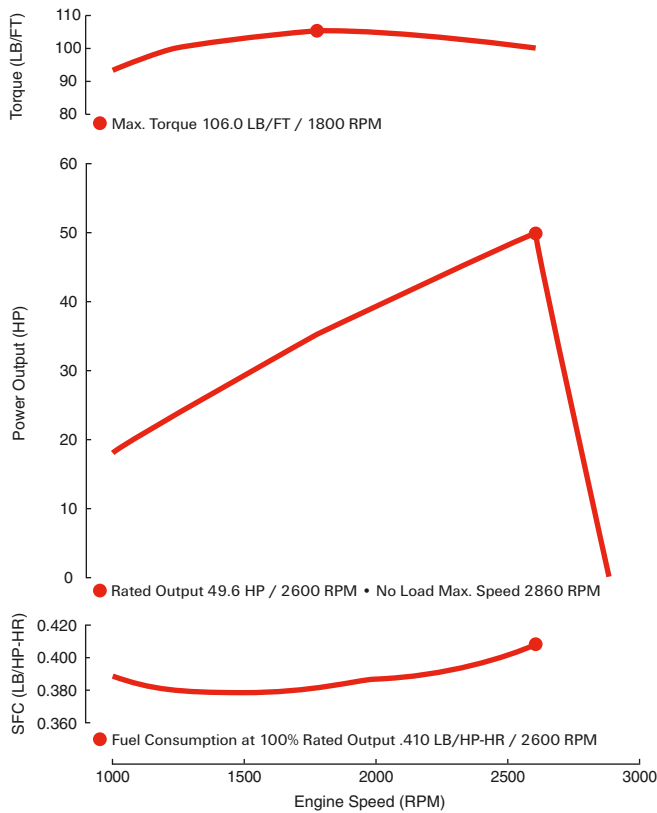
- U.S. EPA Tier 4 Interim
- Displacement: 2.2 L
- Naturally aspirated
- Peak torque: 106.0 LB/FT @ 1800 RPM
- Fuel consumption: .410 LB/HP-HR
- Flywheel housing: SAE 4 & 5 with additional unique hydraulic pump adaptor
- Electric & self-priming fuel lift pump
- 12V and 24V available
- Glow plug starting aid
- High angularity oil pan
- 250-hour service intervals
- 5-year / 5,000-hour warranty

The power behind it all.

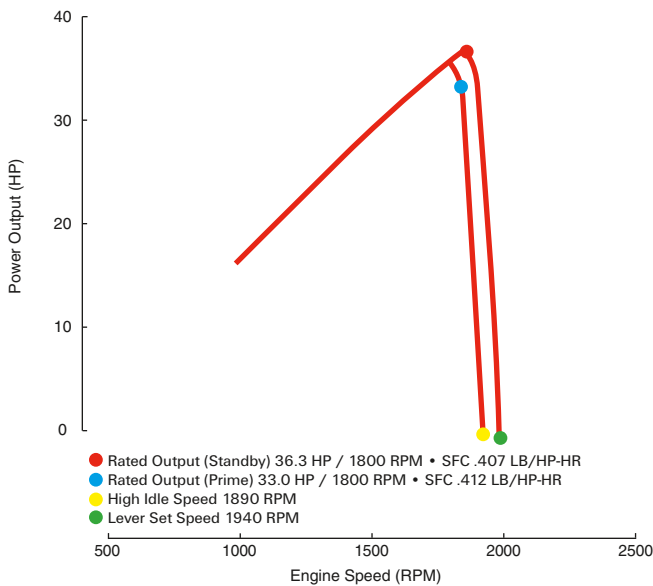
**ISUZU**

**DIESEL**

## 4LE1 Industrial Performance Curves:



## 4LE1 Genset Performance Curves:



### Available options:

- Cooling system
- Air cleaner
- Exhaust system
- Front and rear mounts
- Skid base
- Instrument panel & extension harness
- Custom power unit

### Horsepower comparison:

Engine Model	Cylinders	Displacement (L)	HP Range
3CD1T	3	1.5	30-40
4LE1	4	2.2	30-50
4LE1T	4	2.2	40-60

For additional information, please contact your local distributor or visit [www.isuzuengines.com](http://www.isuzuengines.com)

### Isuzu Motors America, Inc.

46401 Commerce Center Drive  
 Plymouth, Michigan 48170  
 Phone: 734.582.9470  
 Fax: 734.455.7581

Blue Ridge Diesel  
[info@blueridgediesel.com](mailto:info@blueridgediesel.com)  
 540-389-7296



**Blue Ridge Diesel**  
1016 Delaware Street  
P.O. Box 867, Salem, VA 24153

PHONE (540) 389-7296 - FAX (540) 387-2792



**Blue Ridge Diesel** is one of the leading import diesel engine houses on the east coast of the U.S. Our sales department personnel are qualified to assist you in the proper sizing and selection of an engine for your application. Whether you are working with industrial, construction, agricultural, marine, or mining equipment, our knowledgeable people can help in many ways. From equipment repowering to specifying an engine for new equipment, our competent sales staff is ready to assist you and answer any questions you may have.

**Contact Info:**

[info@blueridgediesel.com](mailto:info@blueridgediesel.com)

540-389-7296



**Blue Ridge Diesel**  
1016 Delaware Street  
P.O. Box 867, Salem, VA 24153

PHONE (540) 389-7296 - FAX (540) 387-2792

