

Isuzu Diesel Engines



4LE1T

Generator: 41 HP @ 1800 RPM

Industrial Drive: 62 HP @ 2500 RPM

Standard features:

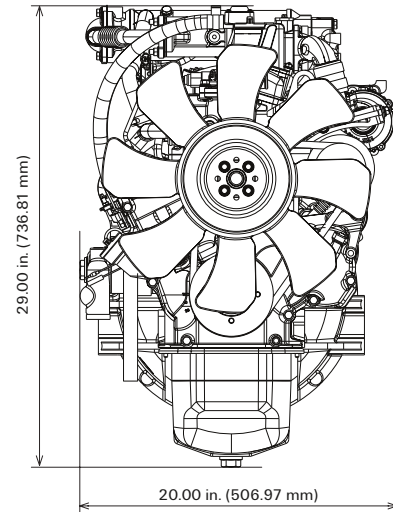
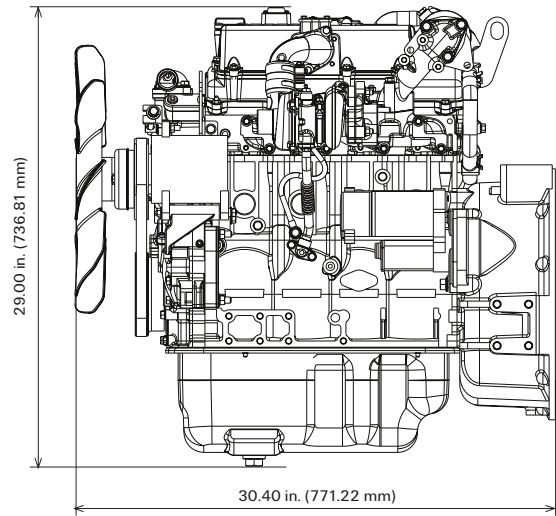
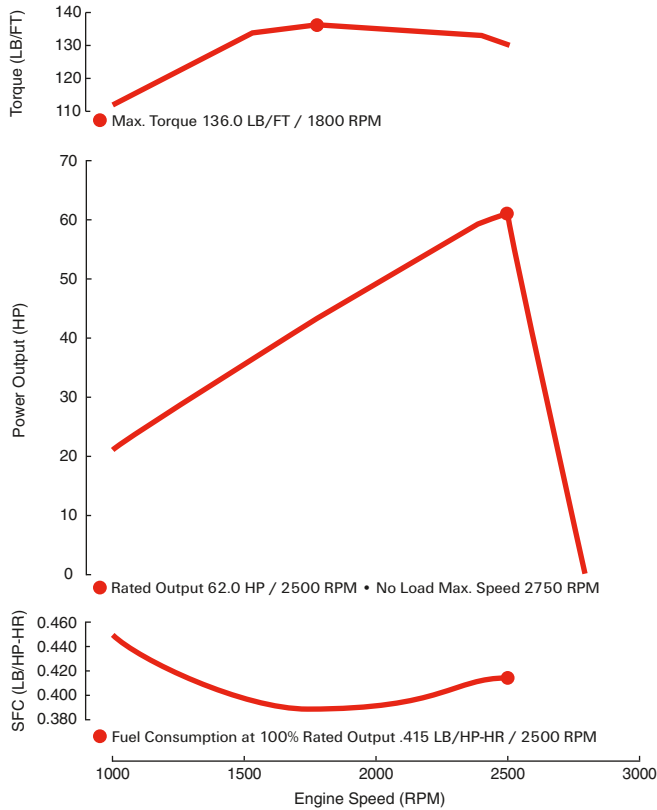
- U.S. EPA Tier 4 Interim
- Displacement: 2.2 L
- Turbo charged with cooled EGR
- Peak torque: 136.0 LB/FT @ 1800 RPM
- Fuel consumption: .415 LB/HP-HR
- Flywheel housing: SAE 4 & 5
- Electric & self-priming fuel lift pump
- 12V and 24V available
- Glow plug starting aid
- High angularity oil pan
- 250-hour service intervals
- 5-year / 5,000-hour warranty

The power behind it all.

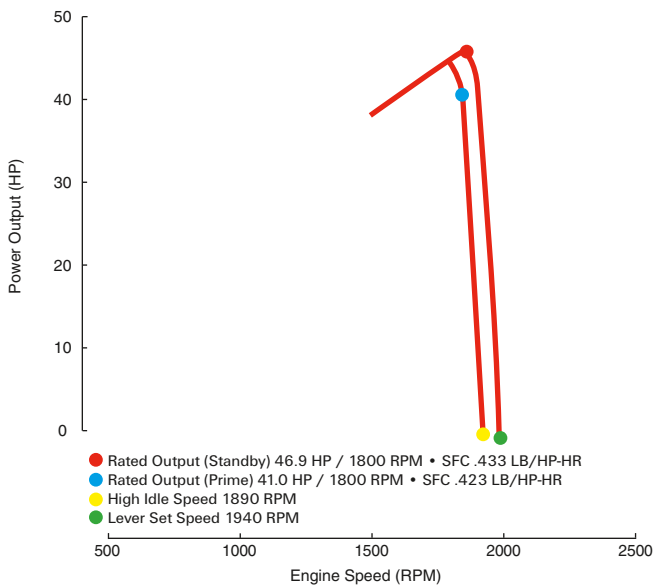
ISUZU

DIESEL

4LE1T Industrial Performance Curves:



4LE1T Genset Performance Curves:



Available options:

- Cooling system
- Air cleaner
- Exhaust system
- Front and rear mounts
- Skid base
- Instrument panel & extension harness
- Custom power unit

Horsepower comparison:

Engine Model	Cylinders	Displacement (L)	HP Range
4LE1	4	2.2	30-50
4LE1T	4	2.2	40-60
4JJ1T	4	3.0	65-90

For additional information, please contact your local distributor or visit www.isuzuengines.com

Isuzu Motors America, Inc.

46401 Commerce Center Drive
 Plymouth, Michigan 48170
 Phone: 734.582.9470
 Fax: 734.455.7581

Blue Ridge Diesel
info@blueridgediesel.com
 540-389-7296



Blue Ridge Diesel
1016 Delaware Street
P.O. Box 867, Salem, VA 24153

PHONE (540) 389-7296 - FAX (540) 387-2792



Blue Ridge Diesel is one of the leading import diesel engine houses on the east coast of the U.S. Our sales department personnel are qualified to assist you in the proper sizing and selection of an engine for your application. Whether you are working with industrial, construction, agricultural, marine, or mining equipment, our knowledgeable people can help in many ways. From equipment repowering to specifying an engine for new equipment, our competent sales staff is ready to assist you and answer any questions you may have.

Contact Info:

info@blueridgediesel.com

540-389-7296



Blue Ridge Diesel
1016 Delaware Street
P.O. Box 867, Salem, VA 24153

PHONE (540) 389-7296 - FAX (540) 387-2792

